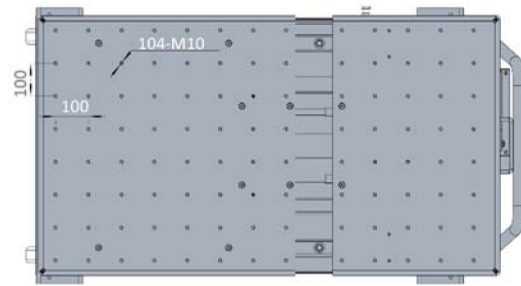
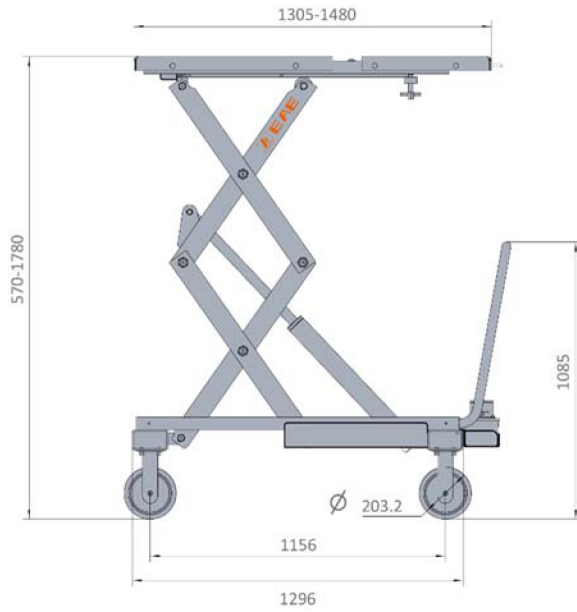




### Overall Size



### Details Display



The working table can be tilted by adjusting two independent screws attached with T shape handle



Control and power by foot activated pneumatic driven hydraulic pump



Four heavy-duty and abrasion-resisting casters can steer and move easily and brake effectively



Low position