

Spring loaded support for fast and easy storing.

Extra support wheels for easy and safe manoeuvring even when fully loaded.

Wheel dollies for trucks and buses

WD Mobile Max capacity 250 kg.



Capable of handling wheels up to large 445/65 - 22,5".



Ergonomical handle makes the wheel dolly easily controllable by just one mechanic.

Rollers with ball bearings for easy rotation and positioning of wheels onto hubs.

Mobile Wheel Dolly

Ideal for service trucks. Easy and safe mounting, demounting and handling of heavy wheels for trucks and buses.



The rollers have three positions each side for different wheels sizes.

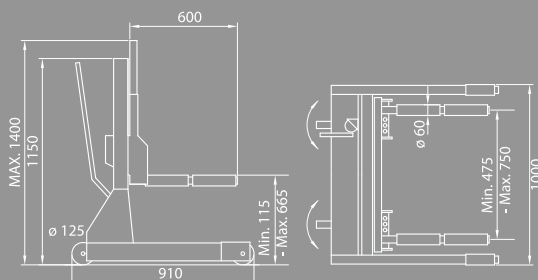
WD 800 Max capacity 800 kg.



Wheel Dolly

Ideal for handling large, heavy wheels on trucks, buses and vans.

- Dual rollers fitted with bearings for separate rotation and positioning of wheels.
- Sliding arms. Enables handling of wheels with diameter from Ø 545 mm - 1278 mm.
- Position of cylinder provides clear access to operating area through the open frame.



Know-how is the difference



Mobile: Easy to use outside the workshop.
Disassembled in a few seconds.

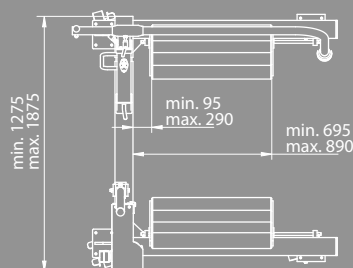
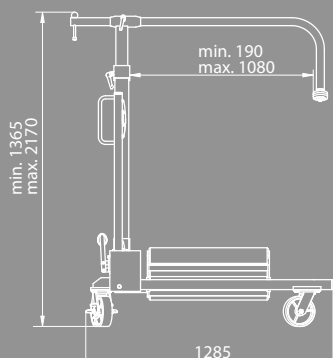
Wheel dolly for agricultural and earth moving machinery



Capable of handling large wheels from 1150 mm up to 2150 mm in diameter and up to 1050 mm in depth.

*Double acting hydraulic system.
Hands-free switch between lifting and lowering action.
Safe and controlled lowering.*

Large Ø150 mm wheels for easy manoeuvrability.



Wheel Dolly

Easy and safe mounting, demounting and handling of large wheels on agricultural and earth moving machinery.

WD1500

Lifting capacity 1.500 kg.



Top-point wheel connection rod keeps the wheel in safe balance.

2 x 4 large rollers improve handling of tyres with deep treads.